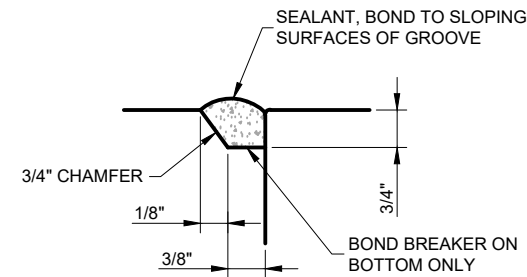
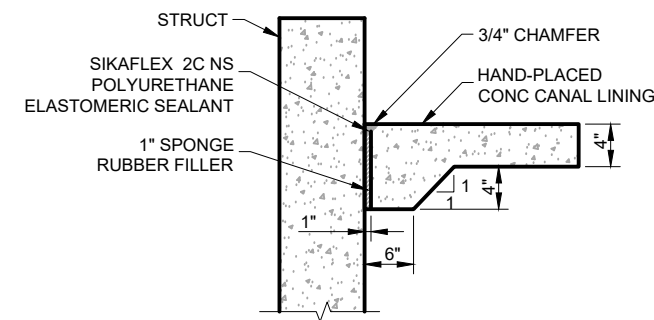


NOTE:
1. SEE PLANS FOR S, B AND H DIMENSION OR MATCH EXISTING CANAL SECTION WHERE APPLICABLE.

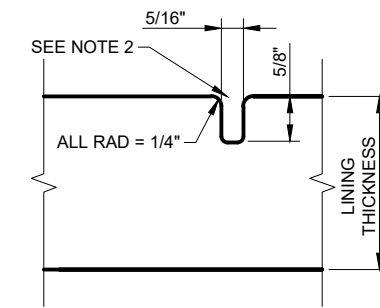
TYPICAL HAND-PLACED CONC CANAL LINING 1
NTS



CONTROL SEALANT JOINT 2
NTS

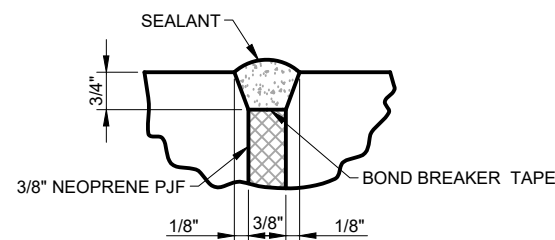


EXPANSION JOINT DETAIL 3
NTS

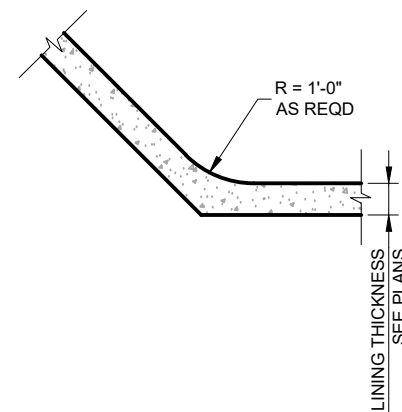


NOTES:
1. CONTRACTION JOINT IN CONCRETE LINING SHALL BE PLACED TRANSVERSE AT 10 FOOT INTERVALS.
2. CONTRACTOR SHALL USE A TEMPLATE APPROVED BY THE ENGINEER TO CONSTRUCT TRANSVERSE CONTRACTION JOINTS.

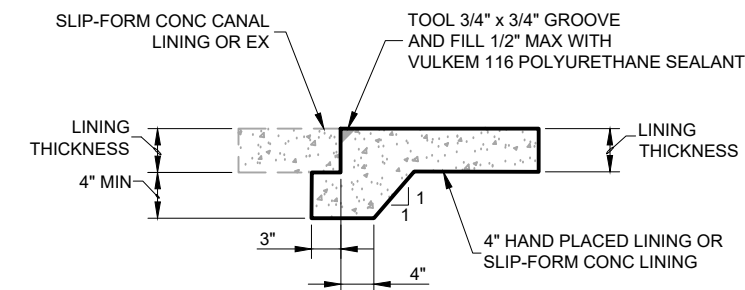
CONTRACTION JOINT DETAIL 4
NTS



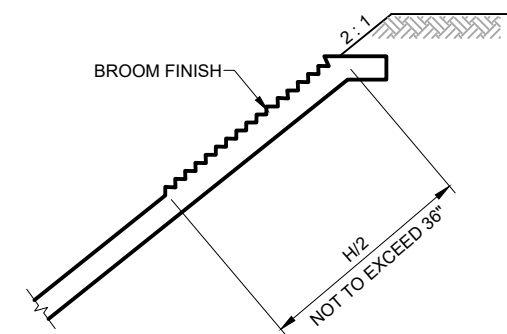
EXPANSION SEALANT JOINT 5
NTS



LINING DETAIL 6
NTS

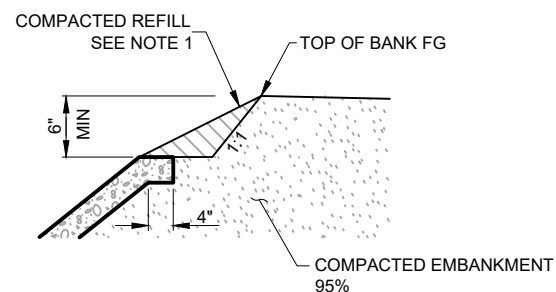


JOINT FOR EXIST TO NEW LATERAL AND DITCH CONNECTION 7
NTS



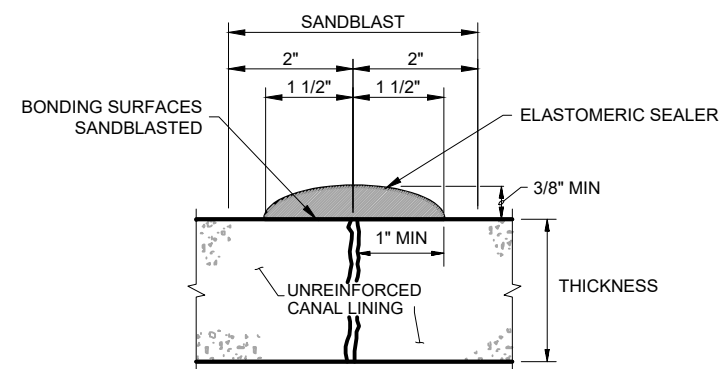
NOTES:
1. SEE PLANS FOR DIMENSIONS OF H
2. SEE PLANS FOR CANAL SECTIONS TO BE BROOM FINISHED AND LIMITS OF INSTALLATION

CONCRETE FINISH DETAIL 8
NTS



NOTE:
1. OVER EXCAVATION IS PERMITTED IF NEEDED TO ACCOMMODATE LINING.

CANAL RAIL REFILL 9
NTS



NOTES:
1. CONTRACTOR TO SANDBLAST SURFACES.
2. IMMEDIATELY PRIOR TO SEALANT APPLICATION, THE CONCRETE SHALL BE BLASTED WITH OIL-FREE COMPRESSED AIR TO REMOVE RESIDUE, DUST, AND DEBRIS.
3. CONCRETE AND AMBIENT TEMPERATURE SHALL BE A MINIMUM OF 50° F.
4. SEE SPECIFICATIONS FOR EXTRUDING AND TOOLING ELASTOMERIC SEALER.

CAP SEAL FOR RANDOM CRACKS 10
NTS

NOTES:
1. THIS IS A STANDARD DETAIL SHEET AND NOT ALL DETAILS ARE REQUIRED. SEE PLANS FOR SPECIFIC INSTALLATIONS.
2. REINFORCEMENT NOT SHOW FOR CLARITY.
3. CONTRACTOR SHALL FOLLOW MANUFACTURER'S RECOMMENDATION FOR SEALANT CURE TIME OR PROVIDE ALTERNATIVE SEALANT FOR APPROVAL.
4. EXCEPT WHERE SPECIFICALLY INDICATED OTHERWISE, ALL CAST-IN-PLACE CONCRETE LINING SHALL BE CLASS A (MINIMUM 28 DAY COMPRESSIVE STRENGTH OF 3000 PSI) CONFORMING TO SECTIONS 725 AND 726 OF THE M.A.G. STANDARD SPECIFICATIONS. CONCRETE MIXTURE SHALL INCLUDE FIBERMESH (PROPEX FIBERMESH 650, FORTA-FERRO, OR NYCON XL WITH A DOSAGE RATE OF 3.0 LBS PER CUBIC YARD). ALL CONCRETE AGGREGATE SHALL BE NO GREATER THAN 3/4" DIAMETER.
5. ALL BACKFILL AND EMBANKMENT WITHIN DISTRICT EASEMENTS SHALL BE TO 95%.
6. CONTACT GEORGE CAIRO ENGINEERING FOR QUESTIONS AND CLARIFICATION.

IRRIGATION CANAL LINING DETAILS
GCE Standard Detail

103

